

NS750

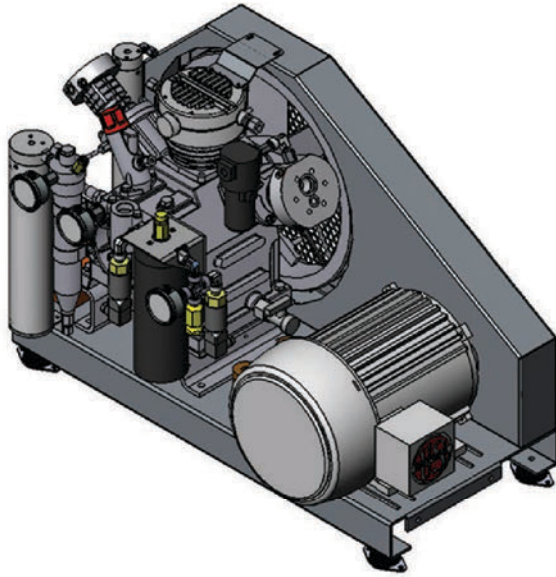
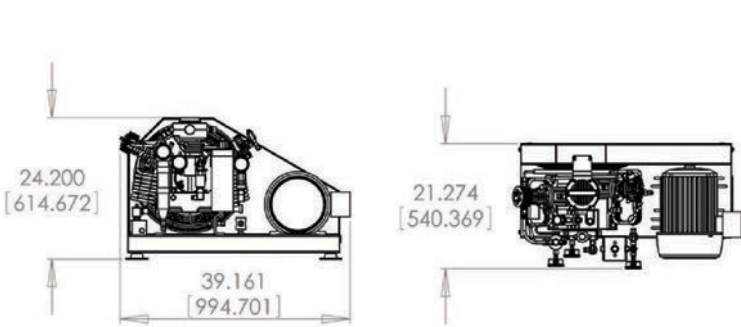
WATER COOLED DIVE COMPRESSOR



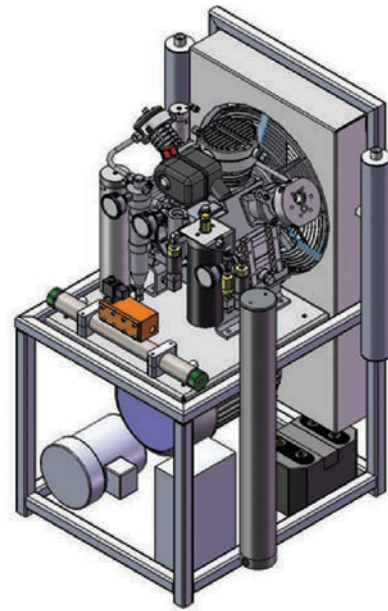
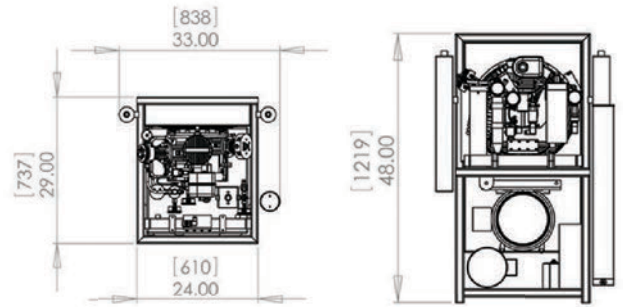
STANDARD FEATURES

- **Bauer Oceanus compressor block, 8.4 cfm, (240 lpm), 7.5 HP (5.5 Kw) 208/230/460vac/3 phase/60 Hz or 380/415vac/3 phase/50 Hz.**
- **2nd and 3rd stage water cooled heads.**
- **1st, 2nd, and 3rd stage Water-Cooled Intercoolers.**
- **TEFC motor** totally enclosed and fan cooled.
- **Open stainless steel frame.** Available in horizontal or vertical configuration. Custom enclosed versions are available upon request.
- **Soft start** with motor overload protection. Frequency drive available upon request.
- **PLC controller** – with LED indicator lights provide easy system diagnoses.
- **High Pressure filtration system** – 26,000cu.ft (742 cu.m).
- **High efficiency final separator** – increased separator size and efficiency extends final filter life.
- **Stainless steel stage pressure gauges** - 1st, 2nd & 3rd stage pressure gauges make compressor monitoring and diagnosis easy.
- **Stainless steel oil pressure gauge.**
- **Low oil pressure compressor shut down.**
- **High temp compressor shutdown.**
- **Compressor auto drains** - 2nd & 3rd stages. Intercooler 1st, 2nd, and 3rd stages.
- **Compressor hour meter.**
- **NEMA 4 x fiberglass electrical enclosure:** waterproof and corrosion proof enclosure ensures your electrical components are protected.
- **Swagelok stainless steel fittings on all equipment.**
- **Portable or stationary tank fill manifold** with 2 fill whips, stainless steel fittings, pressure gauge, 10 ft. hose to connect to high pressure compressor with quick disconnect, standard fill yokes. A gear bag is provided for storage of all portable manifolds. DIN yokes are optional and additional fill hose lengths available upon request.

NS 750 WATER COOLED



HORIZONTAL CONFIGURATION



VERTICAL CONFIGURATION



ELECTRICAL BOX



**PORTABLE FILL
MANIFOLD**



FILTRATION SYSTEM



DRAIN SYSTEM

“Nitrox Bob” Olson
Nitrox Solutions, Inc
2002 Davis St.
San Leandro, CA 94577
T. 707-292-2331
bob@nitroxtech.com



Greg “Moondog” Mooney
757 SE 17th St.
PMB # 958
Ft. Lauderdale, FL 33316
T. 954-574-4694
moondogdive@aol.com